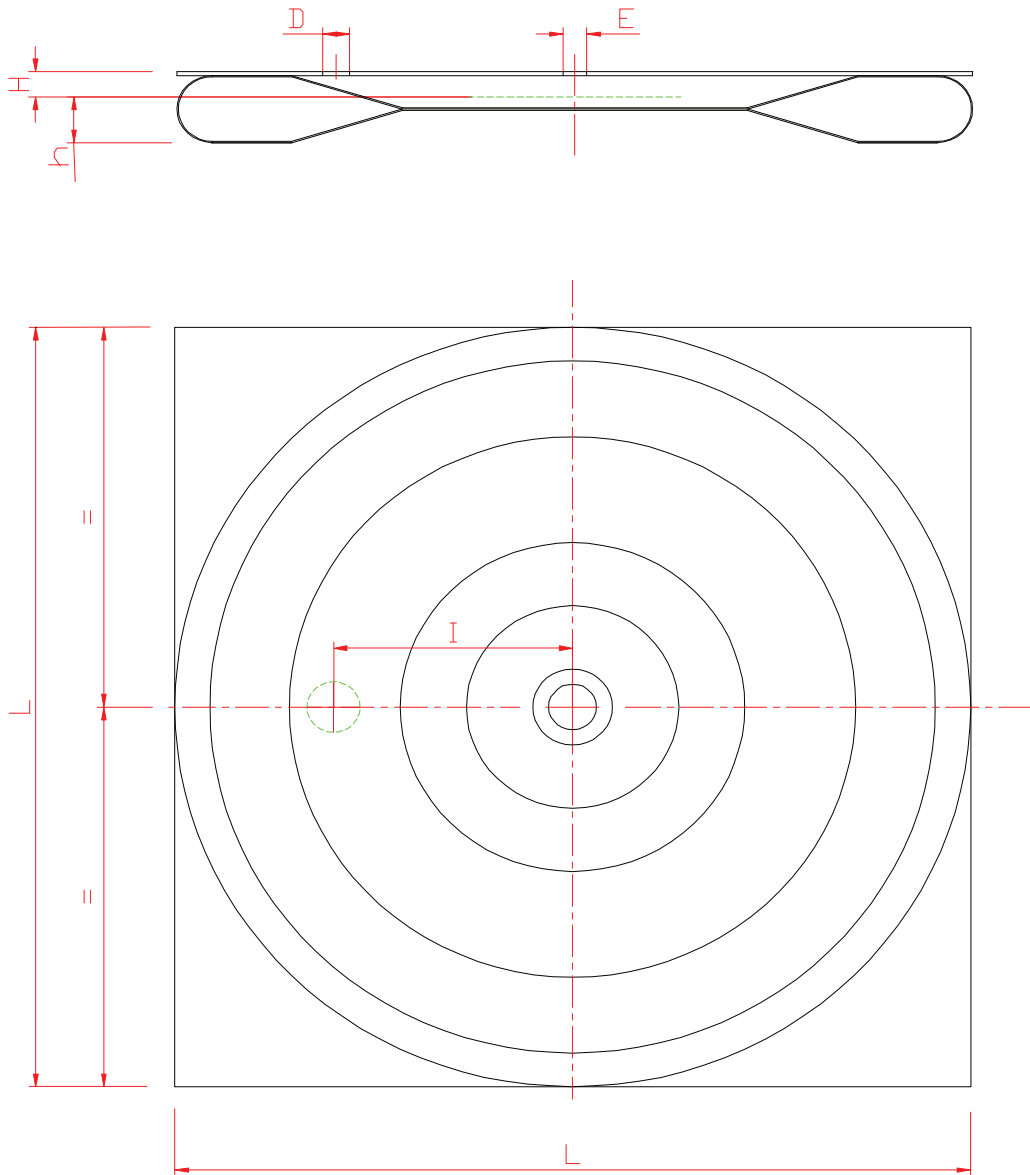


Aircushion Type B...HD

Max working pressure 4 bar



	Diameter (mm)	Height (mm)	Lift (mm)	Airinlet	Connection Nipple (mm)	Distance Airinlet (mm)	Weight (kg)	Air Consumption (NL/min)	Capacity (kg)
TYPE	L	H	h	D	E	I	G		
B 30HD *	300	12		1 / 4 "	10	90		700-1300	2.000
B 40HD	400	12	15-20	1 / 4 "	10	120	1,0	700-1300	4.000
B 50HD	500	12	25-30	1 / 2 "	10	150	1,5	850-1500	6.000
B 70HD	700	14	30-40	1 / 2 "	10	220	3,0	1000-1900	12.000
B 90HD	900	22	40-50	3 / 4 "	10	270	6,0	1400-2500	20.000
B 125HD	1250	28	60-70	3 / 4 "	10	370	12	1800-2800	40.000

Technical changes reserved

* not a stock item



www.prexco.it

info@prexco.it