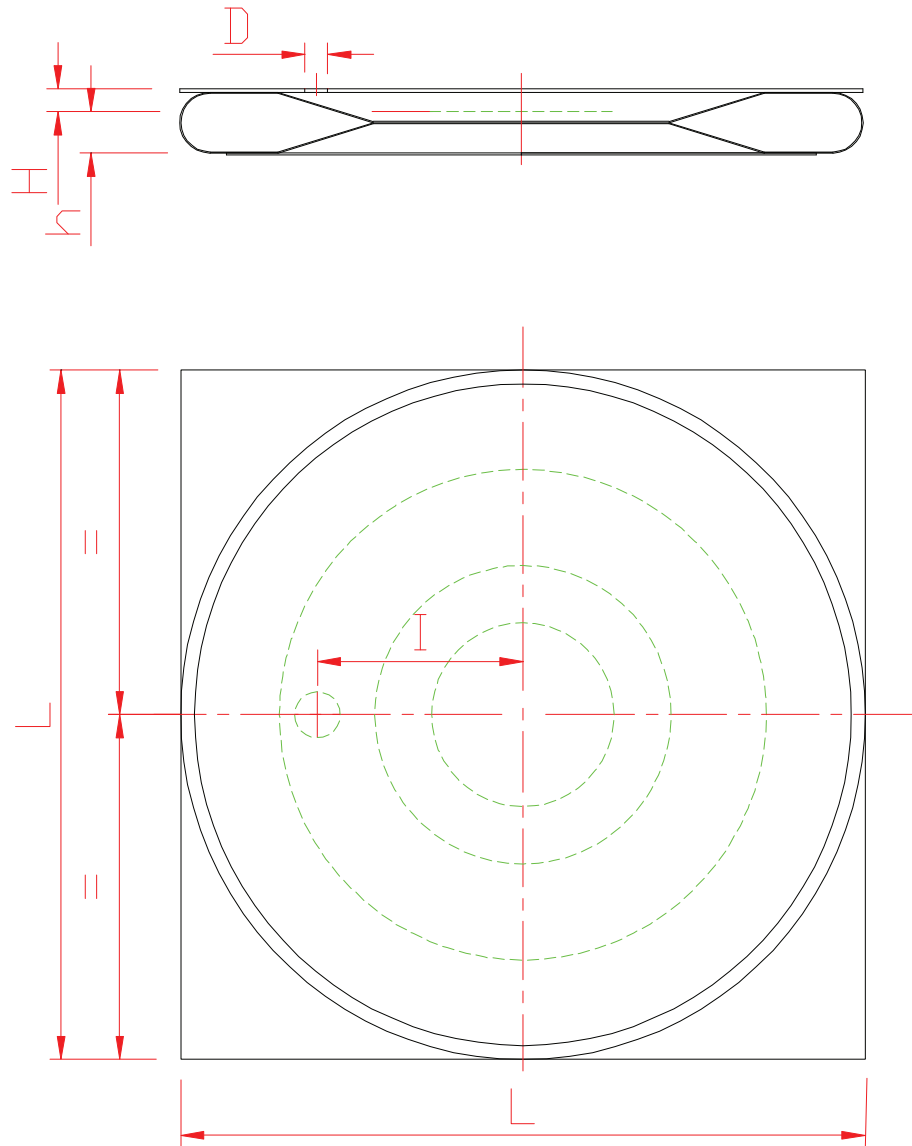


Aircushion Type B...NC001



Maximum working pressure air cushion: 1 bar

	Size (mm)	Height (mm)	Lift (mm)	Air inlet	Distance Airinlet (mm)	Weight (kg)	Air Consumption (NL/min)	Capacity (kg)
TYPE	L	H	h	D	I	G		
B 30NC001	300	11	26-40	1 / 4 "	90	0,6	200-400	500
B 40NC001	400	13	40-45	1 / 4 "	120	1,0	300-500	1.000
B 50NC001	500	13	45-50	1 / 2 "	150	1,5	400-600	2.000

Technical changes reserved

