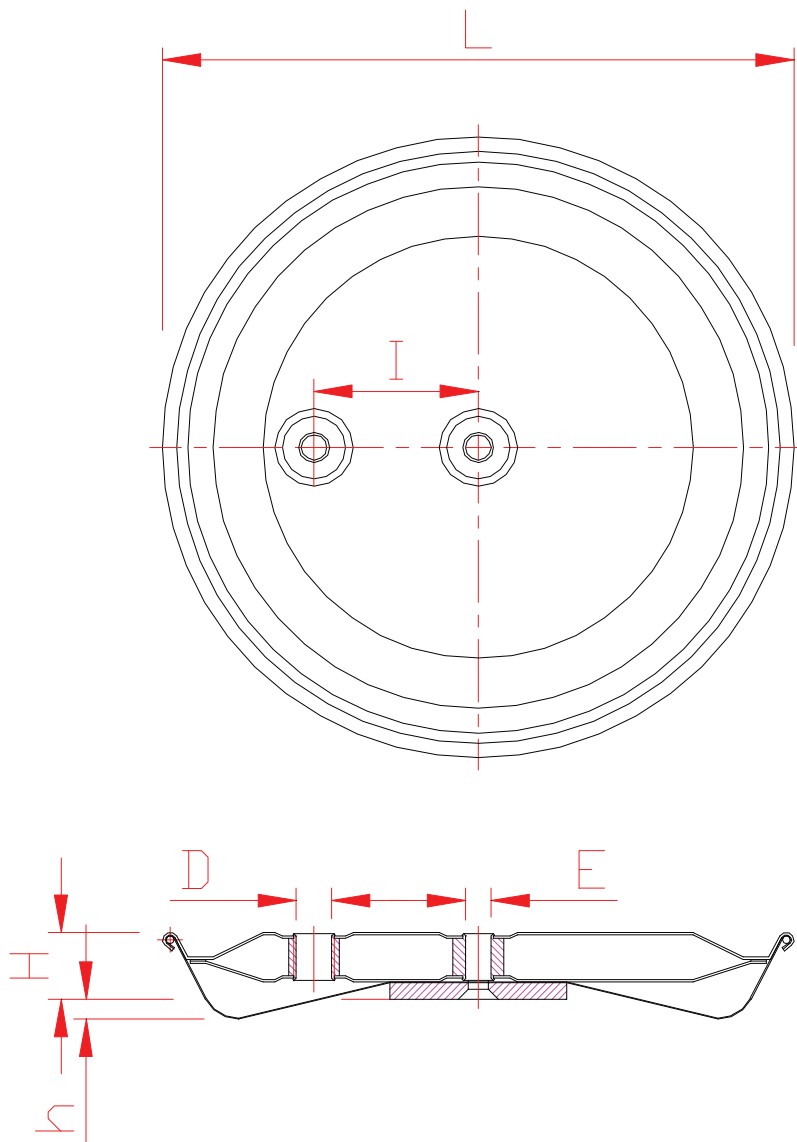


Aircushion Type A...N



Maximum working pressure aircushion: 1 bar

	Diameter (mm)	Height (mm)	Airinlet	Connection Nipple (mm)	Distance Airinlet (mm)	Weight (kg)	Air Consumption (NL/min)	Capacity (kg)
TYPE	L	H	D	E	I	G		
A20N	200	25	1 / 4 "	10	40	0,8	60-100	200
A25N	250	25	1 / 4 "	10	65	1,1	80-140	300
A30N	300	25	1 / 4 "	10	90	1,5	100-200	500
A40N	400	25	1 / 4 "	10	120	2,4	130-250	1.000
A50N	500	25	1 / 2 "	10	150	3,7	240-450	1.800
A70N	700	25	1 / 2 "	10	220	4,7	400-750	3.000
A90N	900	25	3 / 4 "	10	270	6,9	500-1000	6.000

Technical changes reserved